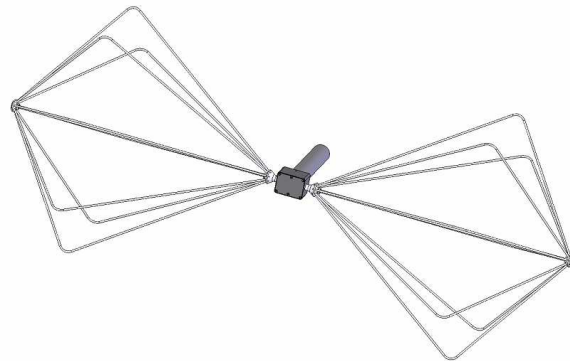


## EMC Wideband Antenna type MTA-20-300

Item no. 11928

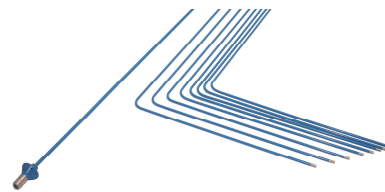
### Application

For the measurement of radio disturbances the standard CISPR 16 1-4 demands polarized wideband antennas. The antenna may not influence the total characteristics of the measurement receiver und must be alignable into it's polarization direction.



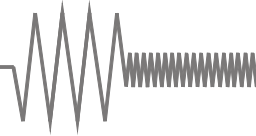
### Solution

The EMC wideband antenna type MTA-20-300 fulfils the requirements of the CISPR 16-1-4 for the frequency range of 20 to 300 MHz. The biconical antennas are demountable for transportation.



### Characteristics

- ▶ Biconical wideband antenna
- ▶ Wide bandwidth (20 to 300 MHz)
- ▶ High TX-Power (100 W)
- ▶ Demountable antenna
- ▶ Measured according to MTS standards
- ▶ Compact design
- ▶ Small weight
- ▶ Powder-coating
- ▶ Including tripod attachment



## EMC Wideband Antenna type MTA-20-300

Item no. 11928

### Technical datas:

#### Electrical specifications:

Frequency range:	20 to 300 MHz
Impedance:	50 $\Omega$ nom.
VSWR input:	< 1 : 2,0 (80 to 300 MHz) > 1 : 2,0 (20 to 80 MHz)
Gain:	0 dBi typ.
Power handling:	100 W (CW) 200 W (Peak)
Polarization:	linear, manual changeable
Technology	Biconical antenna

#### Comments:

Warranty:	12 month after date of shipment
Intervall of calibration:	12 month

#### Recommended accessories:

- measurement cable assembl.
- measurement tripod
- preamplifier

#### Connectors:

Antenna:	- N-female, 50 $\Omega$
Tripod socket:	- 5/8"-threat (tripod) - bore holes 10 mm (4 pcs..)

#### Mechanical specifications:

Dimensions (w x h):	1335 x $\varnothing$ 575 mm (assembled) 650 x 285 mm (transportation measure)
Surface treatment:	Powder-coating RAL 5012
Weight:	1,7 kg

#### Environmental conditions:

Operating temperature:	+5 $^{\circ}$ C to +60 $^{\circ}$ C
Reference temperature for declared specifications:	+5 $^{\circ}$ C to +60 $^{\circ}$ C
Storage temperature:	-30 $^{\circ}$ C to +70 $^{\circ}$ C

#### Delivery package:

- Antenna type MTA-20-300
- Tripod attachment
- Manual
- Correction values
- COC